

PULLEYS FOR BELT CONVEYORS BULK HANDLING

GENERAL CATALOGUE

Moving ahead.



FACTORY



PRODUCTION

PULLEY BENDING PROCEDURE



MACHINING PROCESS



WELDING PROCEDURE

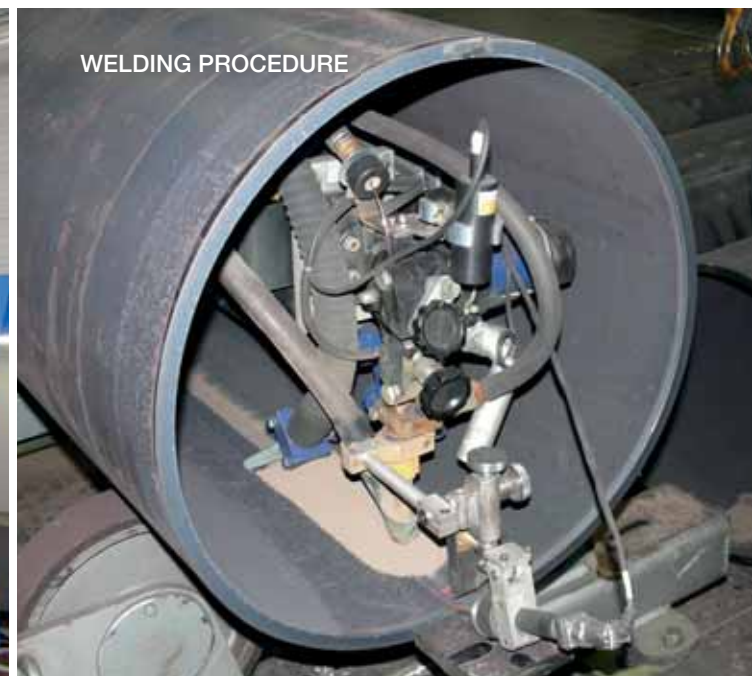


TABLE OF CONTENTS

■ RULMECA belt pulleys	4
■ Introduction	5
■ Dimensioning pulleys	6
■ General construction data	7
■ Types and design	8
Series ATN – UTN with friction lock assemblies	
Type of end discs	
Series UTI with internal bearing	
■ Bearings and bearing housings	9
■ Sealing systems	10
■ Friction lagging	11
■ Standard finishing	12
■ Special pulleys	13
■ Belt pulley type description	14
■ Questionnaire for belt pulley calculation	15
■ Standard pulley range	16
■ Rulmecca contact	30

RULMECCA BELT PULLEYS

Reliable, high quality and state of the art

Since its foundation in 1962, Rulmecca, headquartered in Bergamo (Almé), Italy, has grown to become one of the world's leading manufacturers of conveyor rollers/idlers, motorized pulleys, fabricated pulleys and other components for the bulk handling industry. 1,200 employees in twenty-two production and sales companies around the globe serve clients in 85 countries.

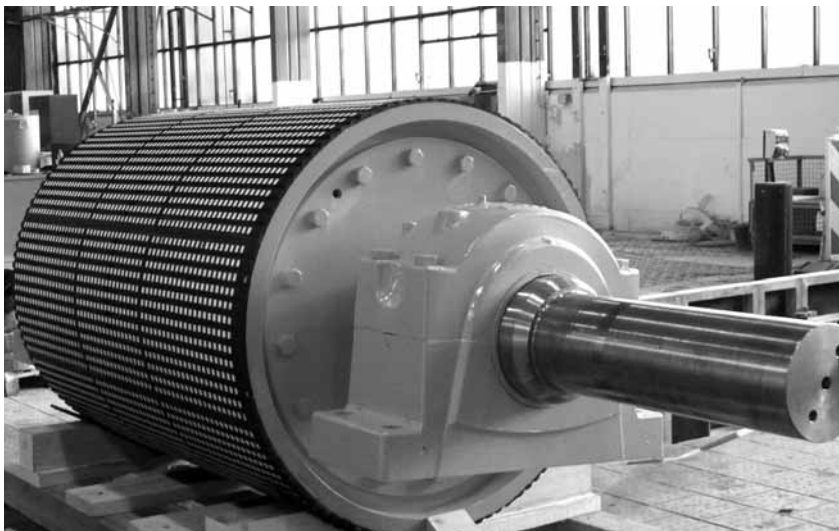
Today, Rulmecca Group's global business incorporates the product brands Rulmecca, Precismeca and Melco.

All three of them specialize in the supply of long-lasting premium belt conveyor components. Rulmecca Group products are developed and produced to meet the most demanding everyday challenges of all major bulk handling applications: coal and lignite mining, cement, steel, quarries, tunnelling, power plant installations, ports, salt and fertilizers, sugar plants, recycling and demolition, crushing and screening. The close partnership with our customers, OEMs, engineering companies and end users has made us one of the most trusted brands in the industry.

As a family-owned business with a longterm perspective, our combination of traditional values and openness to innovation continues to be one of our key success factors.

This is also seen in our consistent environmental and social responsibility throughout the value chain. We are committed to the continuous improvement of our range, often considered among the best in the market. Our research departments are equipped with state-of-the-art test facilities, where our products are thoroughly examined under extreme conditions.

Every day and on all continents, Rulmecca products improve the performance, safety and reliability of systems, equipment and machines within the bulk handling industry. Whatever your materials handling problem might be, talk to us. We have the expertise, the experience – and the products you need. For belt Pulley development and production Rulmecca has a factory located in Germany.

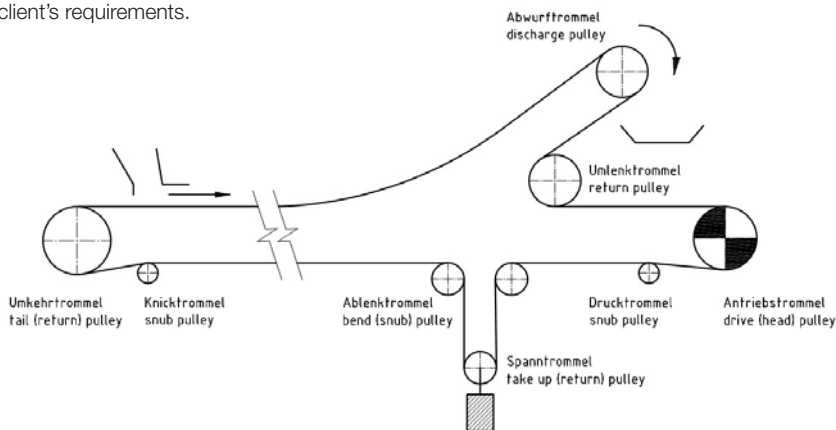


INTRODUCTION

RULMECCA GERMANY is designing and manufacturing pulleys, using materials of the highest quality in a production process employing advanced technology. This together with the application of the Quality Assurance system certified to ISO 9001:2015, contributes to the production of high quality products offering dependable, long life performance in the field and appreciably reducing maintenance cost. Each RULMECCA conveyor pulley is individually computer designed to meet the client's requirements.

The skills and experience of RULMECCA are assisted by, the latest in computer aided technology and manufacturing techniques employed with the high level of control available only to a complete in-house production unit.

The below drawing is showing an arrangement of traditional belt conveyor according to function and position of a belt pulley.



DIMENSIONING PULLEYS

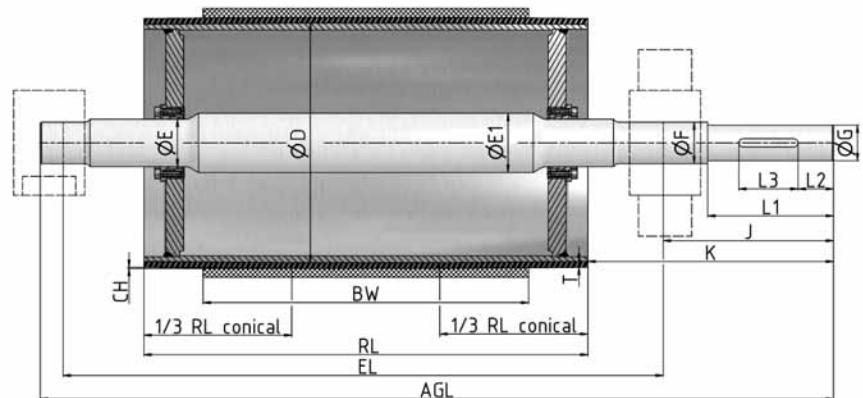
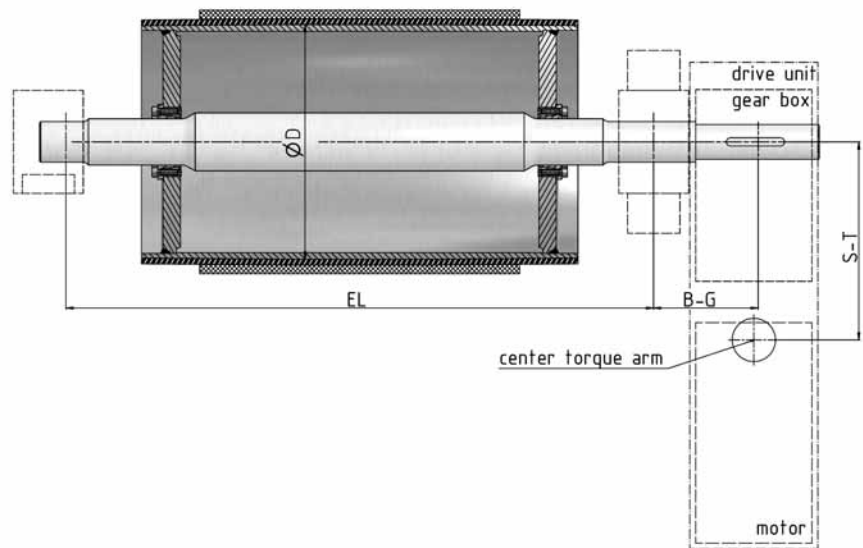


According to the position that they occupy in a belt conveyor, the pulleys must withstand the forces imposed by both belt tension and conveyed load.

To be as efficient as possible both for replacement and for new installation, proper selection of pulleys requires the following data that allows the determination of the construction characteristics and dimension.

The principal data necessary to design a pulley comprises the following:

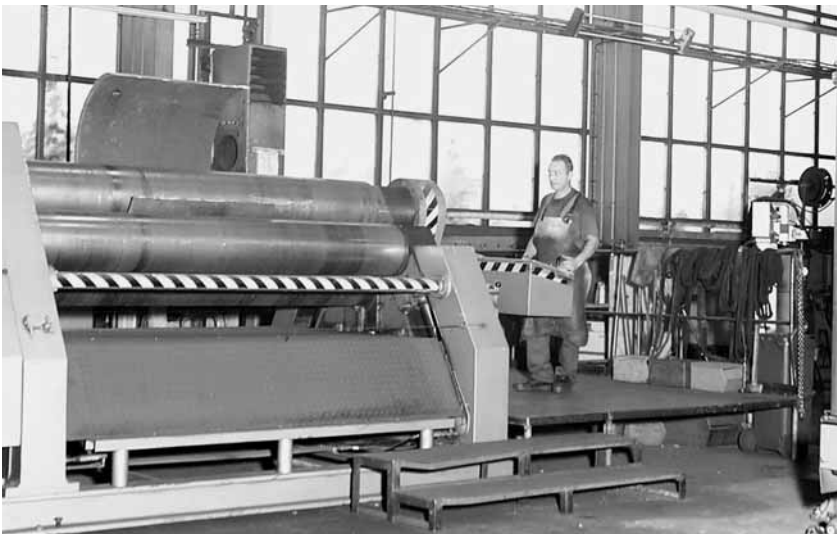
- Belt width;
- Diameter of drum in relation to the belt type and characteristics;
- Locking arrangement of the shaft to the pulley (Friction lock assembly or inner bearing);
- Position of pulley (drive, return, snub, etc...);
- Belt tension $T_1 + T_2$;
- Type of lagging as required.



GENERAL CONSTRUCTION DATA

RULMECA pulleys have been developed using a high degree of security in the dimensioning of the flanges, in the sizing and penetration of the welding and in the assembly between the shell, and pulley

end disc. The conveyor pulley shells are one-piece rolled with a single seam weld. The fabrication is accurate in concentricity. All of the pulleys are static balanced, it can be dynamic balanced if requested.



All conveyor pulley shells are seam welded by MAG and submerged arc process and all welds are finished to a smooth profile with the completed conveyor pulley. Both the welding system and the welders themselves are certified by an independent Institute of Welding.

Well-equipped workshops with advanced CNC machining facilities ensure high quality finishing of all conveyor pulley components.

Pulleys may be cylindrical or machine crowned to aid belt tracking. If required all components can be normalized after machining or welding. Shafts are normally manufactured from high strength steel bar.

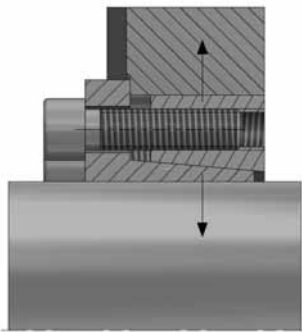


TYPES AND DESIGN

This catalogue contains numerous designs and types of pulleys, to meet the great variety of uses. To meet the duties of the severest working conditions they can be supplied with rubber lagging. Lagging prevents belt slippage and increases the friction between the belt and the pulley. For Drive pulleys a friction lagging should always be used.

Series ATN-UTN with friction lock assemblies

Taper friction lock assemblies allow compression shaft locking, using a system of screws and tapered sleeves, eliminating clearance and eccentricity ensuring the power transmission to the end disc/hub of the pulley. Pulley design using this method of shaft locking are the most utilized today for their strength, simplicity of construction, assembly and maintenance.



Type of end discs

Various types of end disc are used depending on the required load. As a standard solution we use machined steel end discs. According to the load conditions different types of end discs are available.

Solid end disc:



Light &
Medium
load
application

I-shaped end disc



Medium &
Heavy load
application

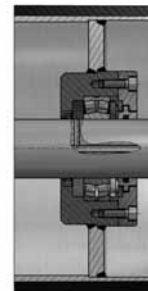
Turbine (T-shaped) end disc:



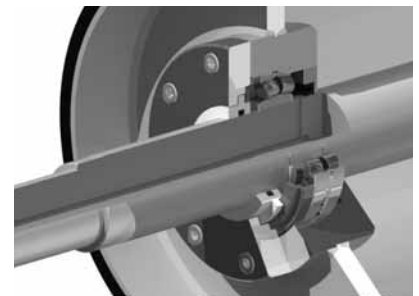
Heavy load
application

Series UTI with internal bearing

Essentially a simplified construction, using spherical roller bearings or ball bearings depend on the load. This system lends itself to be used together with the screw tensioning unit. Normally used as tail pulleys for small or medium loaded conveyors. Very good usable for space saving design of a conveyor.



Other type's pulley with internal bearings and special pulleys or according to drawings can be supplied on request.



BEARINGS AND BEARING HOUSINGS

High quality pillow block housings with self-aligning roller bearings with adapter sleeve are used as standard. The following types of bearing housings are used

(DIN 736 - 739 ISO 113) or specific

- **SN** - for shaft size up to 140 mm (bearing 22232 K), housing with 2 foot holes.
- **SD** - housing for bearing shaft size 150 mm and bigger (bearing 23134 K) housing with 4 foot holes.

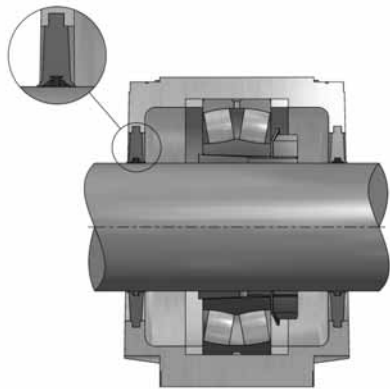
Other types of bearing housings like flanged bearing housings, take-up bearings housing etc. are available on request.

The bearing housings will be equipped with high quality bearings and greased according RULMECA standard customer demand.

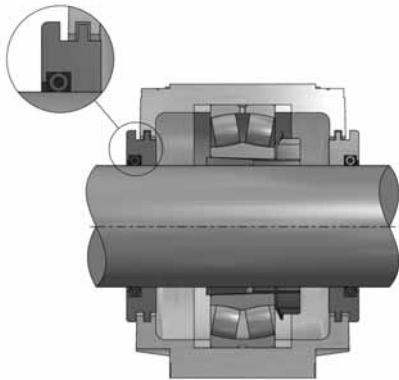


SEALING SYSTEMS

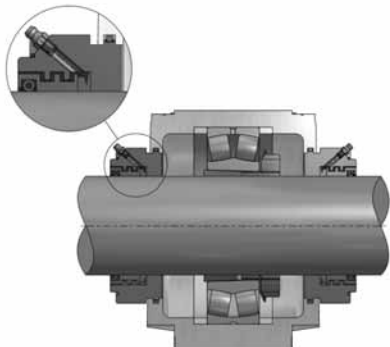
A variety of seals are available with our product range. The sealing system should be selected according to the application - environment condition, operating condition etc.



For our **standard sealing system** we use double lip seals (TG). Such sealing system should be used for normal application such as.



For **medium duty application** we recommend a standard labyrinth sealing system (TS).



For **heavy duty application** such as heavy dust, coal dust, quartz sand application, where ever abrasive material exist we recommend to use a taconite sealing system (TAC).

FRICTION LAGGING

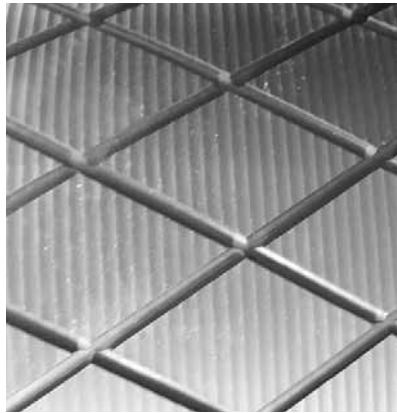
Various types of friction laggings are available. The type of friction lagging should be selected by the customer according to the application.

Properly selected lagging prevents wear and belt slippage. An excellent self-cleaning effect is attained and less belt tension can be set. The standard shore hardness of the lagging will be 60 +/- 5 Shore A for smooth and 63 +/- 5 Shore A for diamond pattern.

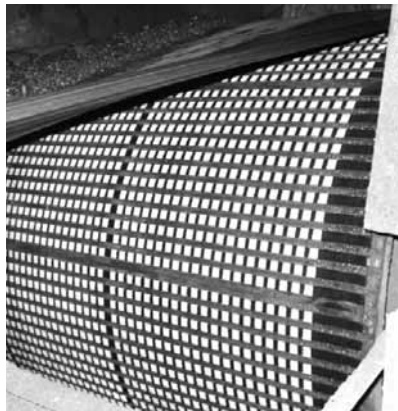
Different hardness is available on request. Different types of lagging based on its chemical ingredients such as oil-resistant, heat-resistant, etc. can be offered.

For normal dry application and where material deposits between belt and pulley can be avoided, a soft plain lagging can be used.

For application where material deposits cannot be avoided, grooved lagging should be used. This can be diamond or herringbone shaped.



For extreme wet and slippery application, ceramic lagging should be used.



STANDARD FINISHING

Used for normal dry non-abrasive application.

- Shafts are treated with ant-corrosion wax - layer thickness 100µm.
- End discs & pillow block bearing housings silver grey (RAL7001) painted - min. layer thickness 80 µm.

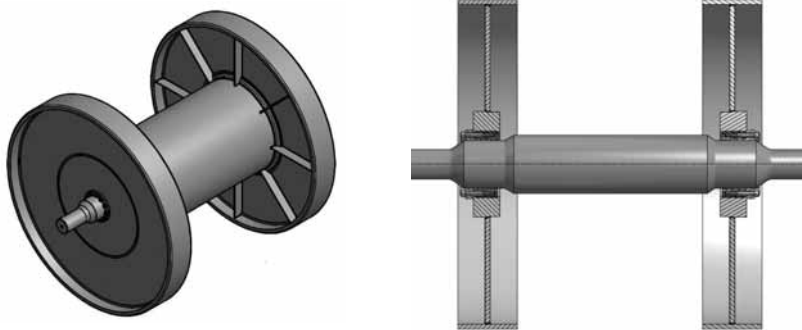
For wet, abrasive and aggressive application we offer a 2-layer finishing as follows:

1. Layer – primer, two-component paint based on zinc phosphate - min. 120µm.
2. Layer – top coating - two-component paint based on polyurethane – min. 120µm.

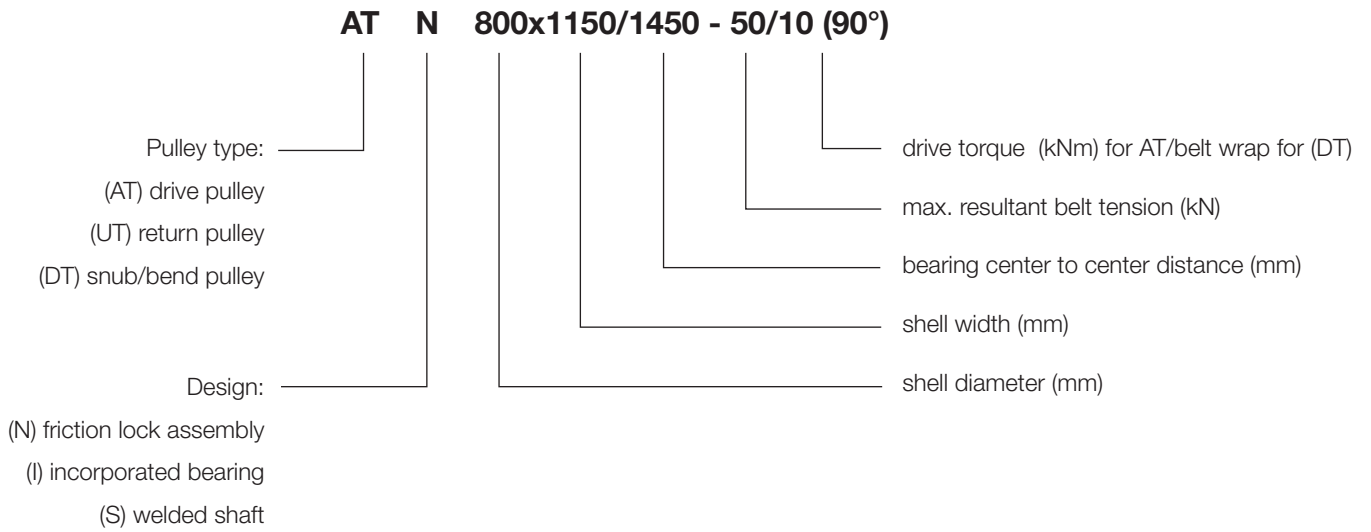
Standard color is silver grey (RAL7001). Other kind of finishing and colors are available on request.

SPECIAL PULLEY

For particular application, special pulleys like disc pulleys can be supplied. Pulleys according to other types and dimensions than those described in this catalogue can be quoted and manufactured on request. Customized solutions can be offered if customer submits a drawing. For order details contact RULMECA Germany.



BELT PULLEY TYPE DESCRIPTION



QUESTIONNAIRE FOR BELT PULLEY CALCULATION

TECHNICAL QUESTIONNAIRE FOR BELT PULLEY CALCULATION

Please answer the following questions for our offer:

quantity			
----------	--	--	--

Pulley Type

drive pulley			
return (idler) pulley			
snub (band) pulley			

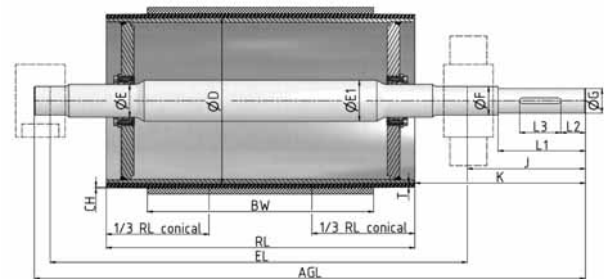
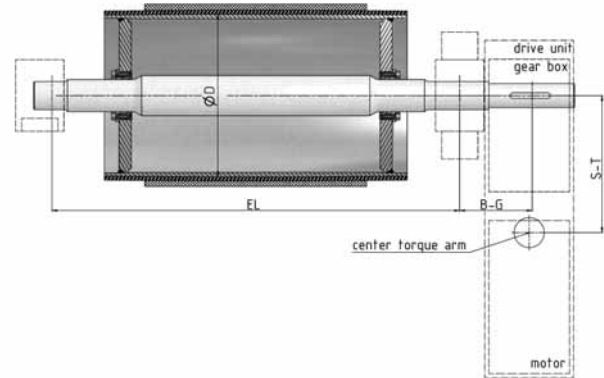
pulley diameter	$\varnothing D$	[mm]	
shell width	RL	[mm]	*
belt width	BW	[mm]	
bearing center to center distance	EL	[mm]	
total shaft length	AGL	[mm]	*
shaft diameter - locking device	$\varnothing E$	[mm]	*
shaft diameter - shaft center	\varnothing	[mm]	*
shaft diameter bearing seat	E1	[mm]	*
wrap angle	$\varnothing F$	[mm]	
resultant belt tension ($R=T_1+T_2$)	α	[°]	
belt tension 1	T_1	[kN]	
belt tension 2	T_2	[kN]	
belt speed	v	[kN]	

If belt pulley drive pully (AT)

input torque	M	[kNm]	*
drive power	P	[kW]	*
shaft diameter - drive shaft	$\varnothing G$	[mm]	*
coupling lenght	L1	[mm]	*
distance shaft end to keyway	L2	[mm]	*
key lenght	L3	[mm]	*
drive shaft lenght	K	[mm]	*
center line bearing to center line gear box	B-G	[mm]	*
center line shaft to center line torque arm	S-T	[mm]	*
weight drive unit / wing arm	GD	[kg]	*

Shell design

cylindrical			
standard crowned			
special crowned			
crown height	CH	[mm]	
crown lenght	CL	[mm]	
requested friction lagging			
none			
smooth			
diamond pattern			
ceramic			
thickness lagging	T	[mm]	



Rulmecca Germany Standard:
1/3 RL x 1,5 mm

* if known

Drive pulleys ATN Ø220 - Ø320

Ø mm	Belt width mm	RL mm	EL mm	R _{max} kN	Mt _{max} kNm	Ø Bearing mm	Weight pulley in kg approx.
220	500	600	840	5	0,3	40	52
220	500	600	840	6,3	0,4	40	52
220	500	600	840	8	0,5	50	57
220	500	600	840	10	0,6	50	59
220	500	600	840	16	1,0	60	68
220	650	750	990	5	0,3	40	59
220	650	750	990	6,3	0,4	40	59
220	650	750	990	8	0,5	50	65
220	650	750	990	10	0,6	50	68
220	650	750	990	16	1,0	60	77
220	800	950	1190	5	0,3	40	69
220	800	950	1190	6,3	0,4	40	76
220	800	950	1190	8	0,5	50	76
220	800	950	1190	10	0,6	50	90
220	800	950	1190	16	1,0	60	99
220	1000	1150	1390	5	0,3	40	87
220	1000	1150	1390	6,3	0,4	40	87
220	1000	1150	1390	8	0,5	50	99
220	1000	1150	1390	10	0,6	50	103
220	1000	1150	1390	16	1,0	60	114
220	1200	1400	1750	5	0,3	40	114
220	1200	1400	1750	6,3	0,4	40	117
220	1200	1400	1750	8	0,5	50	129
220	1200	1400	1750	10	0,6	50	134
220	1200	1400	1750	16	1,0	60	147
320	500	600	840	8	0,7	50	88
320	500	600	840	10	0,9	50	88
320	500	600	840	16	1,4	60	100
320	500	600	840	20	1,7	65	112
320	500	600	840	25	2,1	70	120
320	500	600	840	32	2,7	80	145
320	500	600	840	40	3,4	80	155
320	650	750	990	8	0,7	50	100
320	650	750	990	10	0,9	50	100
320	650	750	990	16	1,4	60	113
320	650	750	990	20	1,7	65	127
320	800	950	1190	16	1,4	60	140

Ø mm	Belt width mm	RL mm	EL mm	R _{max} kN	Mt _{max} kNm	Ø Bearing mm	Weight pulley in kg approx.
320	650	750	990	32	2,7	80	164
320	650	750	990	40	3,4	80	176
320	800	950	1190	8	0,7	50	116
320	800	950	1190	10	0,9	50	130
320	800	950	1190	16	1,4	60	140
320	800	950	1190	20	1,7	65	158
320	800	950	1190	25	2,1	70	158
320	800	950	1190	32	2,7	80	191
320	800	950	1190	40	3,4	80	204
320	1000	1150	1390	8	0,7	50	147
320	1000	1150	1390	10	0,85	50	158
320	1000	1150	1390	16	1,4	60	158
320	1000	1150	1390	20	1,7	65	179
320	1000	1150	1390	25	2,1	70	179
320	1000	1150	1390	32	2,7	80	217
320	1000	1150	1390	40	3,4	80	232
320	1200	1400	1750	8	0,7	50	186
320	1200	1400	1750	10	0,9	50	200
320	1200	1400	1750	16	1,4	60	216
320	1200	1400	1750	20	1,7	65	233
320	1200	1400	1750	25	2,1	70	251
320	1200	1400	1750	32	2,7	80	293
320	1200	1400	1750	40	3,4	80	320
320	1400	1600	1950	8	0,7	50	204
320	1400	1600	1950	10	0,9	50	220
320	1400	1600	1950	16	1,4	60	238
320	1400	1600	1950	20	1,7	65	256
320	1400	1600	1950	25	2,1	70	276
320	1400	1600	1950	32	2,7	80	323
320	1400	1600	1950	40	3,4	80	352

Return pulleys UTN Ø220 - Ø320

Ø mm	Belt width mm	RL mm	EL mm	R ^{max} kN	Ø Bearing mm	Weight pulley in kg approx.
220	500	600	840	10	40	58
220	500	600	840	16	50	68
220	650	750	990	10	40	68
220	650	750	990	16	50	78
220	800	950	1190	5	40	72
220	800	950	1190	10	40	92
220	800	950	1190	16	50	102
220	1000	1150	1390	10	40	106
220	1000	1150	1390	16	50	118
220	1200	1400	1750	5	40	124
220	1200	1400	1750	10	40	141
220	1200	1400	1750	16	50	158
320	500	600	840	10	40	88
320	500	600	840	16	50	100
320	500	600	840	20	50	100
320	500	600	840	25	60	116
320	500	600	840	32	65	136
320	500	600	840	40	70	141
320	650	750	990	10	40	101
320	650	750	990	16	50	114
320	650	750	990	20	50	114
320	650	750	990	25	60	133
320	650	750	990	32	65	155
320	650	750	990	40	70	167

Ø mm	Belt width mm	RL mm	EL mm	R ^{max} kN	Ø Bearing mm	Weight pulley in kg approx.
320	800	950	1190	10	40	133
320	800	950	1190	16	50	143
320	800	950	1190	25	60	155
320	800	950	1190	32	65	181
320	800	950	1190	40	70	195
320	1000	1150	1390	10	40	151
320	1000	1150	1390	20	50	163
320	1000	1150	1390	25	60	177
320	1000	1150	1390	32	65	207
320	1000	1150	1390	40	70	223
320	1200	1400	1750	10	40	209
320	1200	1400	1750	20	50	233
320	1200	1400	1750	25	60	255
320	1200	1400	1750	32	65	288
320	1200	1400	1750	40	70	317
320	1400	1600	1950	10	40	232
320	1400	1600	1950	20	50	258
320	1400	1600	1950	25	60	281
320	1400	1600	1950	32	65	319
320	1400	1600	1950	40	70	351

Drive pulleys ATN Ø400

Ø mm	Belt width mm	RL mm	EL mm	R _{max} kN	Mt _{max} kNm	Ø Bearing mm	Weight pulley in kg approx.
400	500	600	840	10	1,1	50	121
400	500	600	840	16	1,7	60	137
400	500	600	840	20	2,1	65	144
400	500	600	840	25	2,6	70	165
400	500	600	840	32	3,4	80	183
400	500	600	840	40	4,2	80	194
400	500	600	840	50	5,3	90	213
400	500	600	840	63	6,6	100	243
400	500	600	840	80	8,4	110	263
400	650	750	990	10	1,1	50	137
400	650	750	990	16	1,7	60	153
400	650	750	990	20	2,1	65	162
400	650	750	990	25	2,6	70	187
400	650	750	990	32	3,4	80	206
400	650	750	990	40	4,2	80	218
400	650	750	990	50	5,3	90	241
400	650	750	990	63	6,6	100	275
400	650	750	990	80	8,4	110	299
400	800	950	1190	10	1,1	50	176
400	800	950	1190	16	1,7	60	186
400	800	950	1190	20	2,1	65	196
400	800	950	1190	25	2,6	70	217
400	800	950	1190	32	3,4	80	237
400	800	950	1190	40	4,2	80	251
400	800	950	1190	50	5,3	90	278
400	800	950	1190	63	6,6	100	317
400	800	950	1190	80	8,4	110	345
400	1000	1150	1390	10	1,1	50	198
400	1000	1150	1390	16	1,7	60	209
400	1000	1150	1390	20	2,1	65	221
400	1000	1150	1390	25	2,6	70	246
400	1000	1150	1390	32	3,4	80	268
400	1000	1150	1390	40	4,2	80	283

Ø mm	Belt width mm	RL mm	EL mm	R _{max} kN	Mt _{max} kNm	Ø Bearing mm	Weight pulley in kg approx.
400	1000	1150	1390	50	5,3	90	315
400	1000	1150	1390	63	6,6	100	359
400	1000	1150	1390	80	8,4	110	392
400	1200	1400	1750	10	1,1	50	260
400	1200	1400	1750	16	1,7	60	277
400	1200	1400	1750	20	2,1	65	285
400	1200	1400	1750	25	2,6	70	334
400	1200	1400	1750	32	3,4	80	352
400	1200	1400	1750	40	4,2	80	382
400	1200	1400	1750	50	5,3	90	402
400	1200	1400	1750	63	6,6	100	469
400	1200	1400	1750	80	8,4	110	512
400	1400	1600	1950	10	1,1	50	285
400	1400	1600	1950	16	1,7	60	303
400	1400	1600	1950	20	2,1	65	311
400	1400	1600	1950	25	2,6	70	367
400	1400	1600	1950	32	3,4	80	386
400	1400	1600	1950	40	4,2	80	418
400	1400	1600	1950	50	5,3	90	441
400	1400	1600	1950	63	6,6	100	515
400	1400	1600	1950	80	8,4	110	563
400	1600	1800	2150	10	1,1	50	315
400	1600	1800	2150	16	1,7	60	334
400	1600	1800	2150	20	2,1	65	364
400	1600	1800	2150	25	2,6	70	403
400	1600	1800	2150	32	3,4	80	425
400	1600	1800	2150	40	4,2	80	458
400	1600	1800	2150	50	5,3	90	484
400	1600	1800	2150	63	6,6	100	566
400	1600	1800	2150	80	8,4	110	619

Return pulleys UTN Ø400

Ø mm	Belt width mm	RL mm	EL mm	R ^{max} kN	Ø Bearing mm	Weight pulley in kg approx.
400	500	600	840	10	40	120
400	500	600	840	16	50	136
400	500	600	840	25	60	151
400	500	600	840	32	65	169
400	500	600	840	40	70	193
400	500	600	840	50	80	204
400	500	600	840	63	90	226
400	500	600	990	80	100	250
400	650	750	990	10	40	137
400	650	750	990	16	50	154
400	650	750	990	25	60	172
400	650	750	990	32	65	191
400	650	750	990	40	70	220
400	650	750	990	50	80	233
400	650	750	990	63	90	257
400	650	750	1190	80	100	285
400	800	950	1190	10	40	177
400	800	950	1190	16	50	188
400	800	950	1190	25	60	199
400	800	950	1190	32	65	221
400	800	950	1190	40	70	256
400	800	950	1190	50	80	271
400	800	950	1190	63	90	298
400	800	950	1390	80	100	332
400	1000	1150	1390	10	40	201
400	1000	1150	1390	16	50	214
400	1000	1150	1390	25	60	227
400	1000	1150	1390	32	65	250
400	1000	1150	1390	40	70	292
400	1000	1150	1390	50	80	310
400	1000	1150	1390	63	90	339
400	1000	1150	1750	80	100	379

Ø mm	Belt width mm	RL mm	EL mm	R ^{max} kN	Ø Bearing mm	Weight pulley in kg approx.
400	1200	1400	1750	10	40	253
400	1200	1400	1750	16	50	270
400	1200	1400	1750	25	60	318
400	1200	1400	1750	32	65	340
400	1200	1400	1750	40	70	403
400	1200	1400	1750	50	80	404
400	1200	1400	1750	63	90	458
400	1200	1400	1950	80	100	510
400	1400	1600	1950	10	40	283
400	1400	1600	1950	16	50	302
400	1400	1600	1950	25	60	354
400	1400	1600	1950	32	65	378
400	1400	1600	1950	40	70	448
400	1400	1600	1950	50	80	449
400	1400	1600	1950	63	90	509
400	1400	1600	2150	80	100	568
400	1600	1800	2150	10	40	329
400	1600	1800	2150	16	50	352
400	1600	1800	2150	25	60	386
400	1600	1800	2150	32	65	413
400	1600	1800	2150	40	70	489
400	1600	1800	2150	50	80	490
400	1600	1800	2150	63	90	556
400	1600	1800	840	80	100	621

Drive pulleys ATN Ø500

Ø mm	Belt width mm	RL mm	EL mm	R _{max} kN	Mt _{max} kNm	Ø Bearing mm	Weight pulley in kg approx.
500	500	600	840	20	3	70	230
500	500	600	840	25	3	80	230
500	500	600	840	32	4	80	254
500	500	600	840	40	5	90	266
500	500	600	950	50	6	100	328
500	500	600	950	63	8	110	344
500	500	600	950	80	10	115	388
500	500	600	950	100	13	125	449
500	650	750	990	20	3	70	258
500	650	750	990	25	3	80	258
500	650	750	990	32	4	80	284
500	650	750	990	40	5	90	297
500	650	750	1100	50	6	100	364
500	650	750	1100	63	8	110	382
500	650	750	1100	80	10	115	432
500	650	750	1100	100	13	125	499
500	800	950	1190	20	3	70	297
500	800	950	1190	25	3	80	297
500	800	950	1190	32	4	80	324
500	800	950	1190	40	5	90	339
500	800	950	1300	50	6	100	414
500	800	950	1300	63	8	110	433
500	800	950	1300	80	10	115	491
500	800	950	1300	100	13	125	566
500	1000	1150	1390	20	3	70	336
500	1000	1150	1390	25	3	80	336
500	1000	1150	1390	32	4	80	364
500	1000	1150	1390	40	5	90	380
500	1000	1150	1500	50	6	100	463
500	1000	1150	1500	63	8	110	485
500	1000	1150	1500	80	10	115	551
500	1000	1150	1500	100	13	125	633
500	1200	1400	1750	20	3	70	429
500	1200	1400	1750	25	3	80	449

Ø mm	Belt width mm	RL mm	EL mm	R _{max} kN	Mt _{max} kNm	Ø Bearing mm	Weight pulley in kg approx.
500	1200	1400	1750	32	4	80	469
500	1200	1400	1750	40	5	90	506
500	1200	1400	1750	50	6	100	533
500	1200	1400	1750	63	8	110	583
500	1200	1400	1750	80	10	115	633
500	1200	1400	1750	100	13	125	756
500	1400	1600	1950	20	3	70	477
500	1400	1600	1950	25	3	80	498
500	1400	1600	1950	32	4	80	521
500	1400	1600	1950	40	5	90	560
500	1400	1600	1950	50	6	100	590
500	1400	1600	1950	63	8	110	645
500	1400	1600	1950	80	10	115	701
500	1400	1600	1950	100	13	125	834
500	1600	1800	2150	20	3	70	540
500	1600	1800	2150	25	3	80	566
500	1600	1800	2150	32	4	80	592
500	1600	1800	2150	40	5	90	605
500	1600	1800	2150	50	6	100	669
500	1600	1800	2150	63	8	110	699
500	1600	1800	2150	80	10	115	760
500	1600	1800	2150	100	13	125	904
500	1800	2000	2350	20	3	70	582
500	1800	2000	2350	25	3	80	609
500	1800	2000	2350	32	4	80	637
500	1800	2000	2350	40	5	90	651
500	1800	2000	2350	50	6	100	721
500	1800	2000	2350	63	8	110	753
500	1800	2000	2350	80	10	115	820
500	1800	2000	2350	100	13	125	974
500	2000	2200	2550	20	3	70	624
500	2000	2200	2550	25	3	80	653
500	2000	2200	2550	32	4	80	683
500	2000	2200	2550	40	5	90	696
500	2000	2200	2550	50	6	100	772
500	2000	2200	2550	63	8	110	806
500	2000	2200	2550	80	10	115	879
500	2000	2200	2550	100	13	125	1044

Return pulleys UTN Ø500

Ø mm	Belt width mm	RL mm	EL mm	R ^{max} kN	Ø Bearing mm	Weight pulley in kg approx.
500	500	600	840	20	50	214
500	500	600	840	25	60	223
500	500	600	840	32	65	246
500	500	600	950	40	70	256
500	500	600	950	50	80	304
500	500	600	950	63	90	320
500	500	600	950	80	100	365
500	500	600	990	100	110	410
500	650	750	990	20	50	243
500	650	750	990	25	60	254
500	650	750	990	32	65	278
500	650	750	1100	40	70	290
500	650	750	1100	50	80	342
500	650	750	1100	63	90	360
500	650	750	1100	80	100	413
500	650	750	1190	100	110	460
500	800	950	1190	20	50	283
500	800	950	1190	25	60	295
500	800	950	1190	32	65	321
500	800	950	1300	40	70	336
500	800	950	1300	50	80	387
500	800	950	1300	63	90	407
500	800	950	1300	80	100	469
500	800	950	1390	100	110	527
500	1000	1150	1390	20	50	322
500	1000	1150	1390	25	60	336
500	1000	1150	1390	32	65	364
500	1000	1150	1500	40	70	381
500	1000	1150	1500	50	80	443
500	1000	1150	1500	63	90	466
500	1000	1150	1500	80	100	539
500	1000	1150	1750	100	110	594
500	1200	1400	1750	20	50	432
500	1200	1400	1750	25	60	432
500	1200	1400	1750	32	65	474
500	1200	1400	1750	40	70	513
500	1200	1400	1750	50	80	514
500	1200	1400	1750	63	90	568
500	1200	1400	1750	80	100	627
500	1200	1400	1950	100	110	718

Ø mm	Belt width mm	RL mm	EL mm	R ^{max} kN	Ø Bearing mm	Weight pulley in kg approx.
500	1400	1600	1950	20	50	483
500	1400	1600	1950	25	60	483
500	1400	1600	1950	32	65	530
500	1400	1600	1950	40	70	571
500	1400	1600	1950	50	80	572
500	1400	1600	1950	63	90	632
500	1400	1600	1950	80	100	698
500	1400	1600	2150	100	110	797
500	1600	1800	2150	20	50	551
500	1600	1800	2150	25	60	551
500	1600	1800	2150	32	65	578
500	1600	1800	2150	40	70	621
500	1600	1800	2150	50	80	623
500	1600	1800	2150	63	90	688
500	1600	1800	2150	80	100	762
500	1600	1800	2350	100	110	868
500	1800	2000	2350	20	50	596
500	1800	2000	2350	25	60	597
500	1800	2000	2350	32	65	626
500	1800	2000	2350	40	70	672
500	1800	2000	2350	50	80	673
500	1800	2000	2350	63	90	745
500	1800	2000	2350	80	100	825
500	1800	2000	2550	100	110	938
500	2000	2200	2550	20	50	642
500	2000	2200	2550	25	60	642
500	2000	2200	2550	32	65	674
500	2000	2200	2550	40	70	722
500	2000	2200	2550	50	80	724
500	2000	2200	2550	63	90	801
500	2000	2200	2550	80	100	889
500	2000	2200	1100	100	110	1009

Drive pulleys ATN Ø630

Ø mm	Belt width mm	RL mm	EL mm	R ^{max} kN	Mt ^{max} kNm	Ø Bearing mm	Weight pulley in kg approx.
630	650	750	1100	50	8	100	437
630	650	750	1100	63	10	110	475
630	650	750	1100	80	13	115	494
630	650	750	1100	100	16	125	513
630	650	750	1100	125	20	140	554
630	650	750	1200	160	26	150	900
630	800	950	1300	50	8	100	499
630	800	950	1300	63	10	110	538
630	800	950	1300	80	13	115	559
630	800	950	1300	100	16	125	581
630	800	950	1300	125	20	140	630
630	800	950	1400	160	26	150	985
630	1000	1150	1500	50	8	100	561
630	1000	1150	1500	63	10	110	602
630	1000	1150	1500	80	13	115	625
630	1000	1150	1500	100	16	125	649
630	1000	1150	1500	125	20	140	706
630	1000	1150	1600	160	26	150	1079
630	1200	1400	1750	50	8	100	682
630	1200	1400	1750	63	10	110	707
630	1200	1400	1750	80	13	115	734
630	1200	1400	1750	100	16	125	764
630	1200	1400	1750	125	20	140	870
630	1200	1400	1850	160	26	150	1234
630	1400	1600	1950	50	8	100	745
630	1400	1600	1950	63	10	110	773
630	1400	1600	1950	80	13	115	802
630	1400	1600	1950	100	16	125	835
630	1400	1600	1950	125	20	140	948
630	1400	1600	2050	160	26	150	1331
630	1600	1800	2150	50	8	100	839
630	1600	1800	2150	63	10	110	870

Ø mm	Belt width mm	RL mm	EL mm	R ^{max} kN	Mt ^{max} kNm	Ø Bearing mm	Weight pulley in kg approx.
630	1600	1800	2150	80	13	115	905
630	1600	1800	2150	100	16	125	979
630	1600	1800	2150	125	20	140	1064
630	1600	1800	2250	160	26	150	1472
630	1800	2000	2350	50	8	100	905
630	1800	2000	2350	63	10	110	938
630	1800	2000	2350	80	13	115	975
630	1800	2000	2350	100	16	125	1052
630	1800	2000	2350	125	20	140	1146
630	1800	2000	2450	160	26	150	1572
630	2000	2200	2550	50	8	100	971
630	2000	2200	2550	63	10	110	1006
630	2000	2200	2550	80	13	115	1046
630	2000	2200	2550	100	16	125	1125
630	2000	2200	2550	125	20	140	1227
630	2000	2200	2650	160	26	150	1672
630	2200	2400	2750	50	8	100	1076
630	2200	2400	2750	63	10	110	1117
630	2200	2400	2750	80	13	115	1161
630	2200	2400	2750	100	16	125	1245
630	2200	2400	2750	125	20	140	1358
630	2200	2400	2850	160	26	150	1829
630	2400	2600	2950	50	8	100	1144
630	2400	2600	2950	63	10	110	1187
630	2400	2600	2950	80	13	115	1234
630	2400	2600	2950	100	16	125	1321
630	2400	2600	2950	125	20	140	1442
630	2400	2600	3050	160	26	150	1932

Return pulleys UTN Ø630

Ø mm	Belt width mm	RL mm	EL mm	R ^{max} kN	Ø Bearing mm	Weight pulley in kg approx.
630	650	750	1100	50	80	352
630	650	750	1100	63	90	365
630	650	750	1100	80	100	430
630	650	750	1100	100	110	447
630	650	750	1200	125	115	463
630	650	750	1300	160	140	742
630	800	950	1300	50	80	406
630	800	950	1300	63	90	422
630	800	950	1300	80	100	497
630	800	950	1300	100	110	517
630	800	950	1400	125	115	536
630	800	950	1500	160	140	826
630	1000	1150	1500	50	80	461
630	1000	1150	1500	63	90	479
630	1000	1150	1500	80	100	564
630	1000	1150	1500	100	110	587
630	1000	1150	1600	125	115	609
630	1000	1150	1750	160	140	910
630	1200	1400	1750	50	80	549
630	1200	1400	1750	63	90	590
630	1200	1400	1750	80	100	673
630	1200	1400	1750	100	110	701
630	1200	1400	1850	125	115	790
630	1200	1400	1950	160	140	1049
630	1400	1600	1950	50	80	606
630	1400	1600	1950	63	90	649
630	1400	1600	1950	80	100	743
630	1400	1600	1950	100	110	774
630	1400	1600	2050	125	115	869
630	1400	1600	2150	160	140	1136
630	1600	1800	2150	50	80	707
630	1600	1800	2150	63	90	738
630	1600	1800	2150	80	100	845
630	1600	1800	2150	100	110	881
630	1600	1800	2250	125	115	987
630	1600	1800	2350	160	140	1265

Ø mm	Belt width mm	RL mm	EL mm	R ^{max} kN	Ø Bearing mm	Weight pulley in kg approx.
630	1800	2000	2350	50	80	767
630	1800	2000	2350	63	90	800
630	1800	2000	2350	80	100	918
630	1800	2000	2350	100	110	957
630	1800	2000	2450	125	115	1069
630	1800	2000	2550	160	140	1357
630	2000	2200	2550	50	80	826
630	2000	2200	2550	63	90	862
630	2000	2200	2550	80	100	990
630	2000	2200	2550	100	110	1033
630	2000	2200	2650	125	115	1152
630	2000	2200	2750	160	140	1448
630	2200	2400	2750	50	80	923
630	2200	2400	2750	63	90	964
630	2200	2400	2750	80	100	1108
630	2200	2400	2750	100	110	1156
630	2200	2400	2850	125	115	1235
630	2200	2400	2950	160	140	1588
630	2400	2600	2950	50	80	985
630	2400	2600	2950	63	90	1029
630	2400	2600	2950	80	100	1184
630	2400	2600	2950	100	110	1235
630	2400	2600	3050	125	115	1317
630	2400	2600	1100	160	140	1692

Drive pulleys ATN Ø800

Ø mm	Belt width mm	RL mm	EL mm	R _{max} kN	Mt _{max} kNm	Ø Bearing mm	Weight pulley in kg approx.
800	650	750	1100	50	10	110	586
800	650	750	1100	63	13	110	637
800	650	750	1100	80	16	135	658
800	650	750	1100	100	20	140	680
800	650	750	1100	125	26	150	817
800	650	750	1200	160	33	160	885
800	650	750	1200	200	41	170	1293
800	650	750	1200	250	51	200	1394
800	650	750	1200	320	66	220	1497
800	800	950	1300	50	10	110	661
800	800	950	1300	63	13	110	715
800	800	950	1300	80	16	135	738
800	800	950	1300	100	20	140	762
800	800	950	1300	125	26	150	910
800	800	950	1400	160	33	160	984
800	800	950	1400	200	41	170	1410
800	800	950	1400	250	51	200	1519
800	800	950	1400	320	66	220	1646
800	1000	1150	1500	50	10	110	736
800	1000	1150	1500	63	13	110	792
800	1000	1150	1500	80	16	135	817
800	1000	1150	1500	100	20	140	843
800	1000	1150	1500	125	26	150	1004
800	1000	1150	1600	160	33	160	1084
800	1000	1150	1600	200	41	170	1529
800	1000	1150	1600	250	51	200	1644
800	1000	1150	1600	320	66	220	1795
800	1200	1400	1750	50	10	110	888
800	1200	1400	1750	63	13	110	916
800	1200	1400	1750	80	16	135	945
800	1200	1400	1750	100	20	140	977
800	1200	1400	1750	125	26	150	1121
800	1200	1400	1850	160	33	160	1208
800	1200	1400	1850	200	41	170	1678
800	1200	1400	1850	250	51	200	1800
800	1200	1400	1850	320	66	220	1982
800	1400	1600	1950	50	10	110	966
800	1400	1600	1950	63	13	110	996
800	1400	1600	1950	80	16	135	1027
800	1400	1600	1950	100	20	140	1061
800	1400	1600	1950	125	26	150	1214
800	1400	1600	2050	160	33	160	1307
800	1400	1600	2050	200	41	170	1797
800	1400	1600	2050	250	51	200	1929
800	1400	1600	2050	320	66	220	2131

Ø mm	Belt width mm	RL mm	EL mm	R _{max} kN	Mt _{max} kNm	Ø Bearing mm	Weight pulley in kg approx.
800	1600	1800	2150	50	10	110	1075
800	1600	1800	2150	63	13	110	1109
800	1600	1800	2150	80	16	135	1145
800	1600	1800	2150	100	20	140	1246
800	1600	1800	2150	125	26	150	1349
800	1600	1800	2250	160	33	160	1452
800	1600	1800	2250	200	41	170	1966
800	1600	1800	2250	250	51	200	2109
800	1600	1800	2250	320	66	220	2340
800	1800	2000	2350	50	10	110	1155
800	1800	2000	2350	63	13	110	1190
800	1800	2000	2350	80	16	135	1230
800	1800	2000	2350	100	20	140	1333
800	1800	2000	2350	125	26	150	1445
800	1800	2000	2450	160	33	160	1554
800	1800	2000	2450	200	41	170	2088
800	1800	2000	2450	250	51	200	2238
800	1800	2000	2450	320	66	220	2493
800	2000	2200	2550	50	10	110	1234
800	2000	2200	2550	63	13	110	1272
800	2000	2200	2550	80	16	135	1314
800	2000	2200	2550	100	20	140	1419
800	2000	2200	2550	125	26	150	1541
800	2000	2200	2650	160	33	160	1657
800	2000	2200	2650	200	41	170	2211
800	2000	2200	2650	250	51	200	2367
800	2000	2200	2650	320	66	220	2646
800	2200	2400	2750	50	10	110	1355
800	2200	2400	2750	63	13	110	1398
800	2200	2400	2750	80	16	135	1445
800	2200	2400	2750	100	20	140	1556
800	2200	2400	2750	125	26	150	1690
800	2200	2400	2850	160	33	160	1818
800	2200	2400	2850	200	41	170	2454
800	2200	2400	2850	250	51	200	2554
800	2200	2400	2850	320	66	220	2799
800	2400	2600	2950	50	10	110	1437
800	2400	2600	2950	63	13	110	1482
800	2400	2600	2950	80	16	135	1532
800	2400	2600	2950	100	20	140	1646
800	2400	2600	2950	125	26	150	1789
800	2400	2600	3050	160	33	160	1924
800	2400	2600	3050	200	41	170	2583
800	2400	2600	3050	250	51	200	2686
800	2400	2600	3050	320	66	220	2952

Return pulleys UTN Ø800

Ø mm	Belt width mm	RL mm	EL mm	R ^{max} kN	Ø Bearing mm	Weight pulley in kg approx.
800	650	750	1100	50	80	464
800	650	750	1100	63	90	478
800	650	750	1100	80	100	561
800	650	750	1100	100	110	578
800	650	750	1200	125	115	595
800	650	750	1200	160	140	705
800	650	750	1200	200	150	1010
800	650	750	1200	250	160	1100
800	650	750	1300	320	170	1163
800	800	950	1300	50	80	530
800	800	950	1300	63	90	546
800	800	950	1300	80	100	642
800	800	950	1300	100	110	662
800	800	950	1400	125	115	681
800	800	950	1400	160	140	798
800	800	950	1400	200	150	1113
800	800	950	1400	250	160	1227
800	800	950	1500	320	170	1298
800	1000	1150	1500	50	80	596
800	1000	1150	1500	63	90	615
800	1000	1150	1500	80	100	723
800	1000	1150	1500	100	110	745
800	1000	1150	1600	125	115	768
800	1000	1150	1600	160	140	891
800	1000	1150	1600	200	150	1216
800	1000	1150	1600	250	160	1354
800	1000	1150	1750	320	170	1433
800	1200	1400	1750	50	80	699
800	1200	1400	1750	63	90	749
800	1200	1400	1750	80	100	848
800	1200	1400	1750	100	110	876
800	1200	1400	1850	125	115	905
800	1200	1400	1850	160	140	1079
800	1200	1400	1850	200	150	1380
800	1200	1400	1850	250	160	1513
800	1200	1400	1950	320	170	1592
800	1400	1600	1950	50	80	767
800	1400	1600	1950	63	90	820
800	1400	1600	1950	80	100	932
800	1400	1600	1950	100	110	962
800	1400	1600	2050	125	115	995
800	1400	1600	2050	160	140	1179
800	1400	1600	2050	200	150	1486
800	1400	1600	2050	250	160	1640
800	1400	1600	2150	320	170	1728

Ø mm	Belt width mm	RL mm	EL mm	R ^{max} kN	Ø Bearing mm	Weight pulley in kg approx.
800	1600	1800	2150	50	80	889
800	1600	1800	2150	63	90	921
800	1600	1800	2150	80	100	1049
800	1600	1800	2150	100	110	1084
800	1600	1800	2250	125	115	1172
800	1600	1800	2250	160	140	1279
800	1600	1800	2250	200	150	1636
800	1600	1800	2250	250	160	1858
800	1600	1800	2350	320	170	1915
800	1800	2000	2350	50	80	960
800	1800	2000	2350	63	90	994
800	1800	2000	2350	80	100	1134
800	1800	2000	2350	100	110	1174
800	1800	2000	2450	125	115	1265
800	1800	2000	2450	160	140	1378
800	1800	2000	2450	200	150	1746
800	1800	2000	2450	250	160	1993
800	1800	2000	2550	320	170	2055
800	2000	2200	2550	50	80	1031
800	2000	2200	2550	63	90	1067
800	2000	2200	2550	80	100	1220
800	2000	2200	2550	100	110	1263
800	2000	2200	2650	125	115	1357
800	2000	2200	2650	160	140	1478
800	2000	2200	2650	200	150	1857
800	2000	2200	2650	250	160	2129
800	2000	2200	2750	320	170	2188
800	2200	2400	2750	50	80	1139
800	2200	2400	2750	63	90	1180
800	2200	2400	2750	80	100	1351
800	2200	2400	2750	100	110	1450
800	2200	2400	2850	125	115	1498
800	2200	2400	2850	160	140	1623
800	2200	2400	2850	200	150	2026
800	2200	2400	2850	250	160	2264
800	2200	2400	2950	320	170	2395
800	2400	2600	2950	50	80	1212
800	2400	2600	2950	63	90	1256
800	2400	2600	2950	80	100	1441
800	2400	2600	2950	100	110	1543
800	2400	2600	3050	125	115	1594
800	2400	2600	3050	160	140	1735
800	2400	2600	3050	200	150	2141
800	2400	2600	3050	250	160	2399
800	2400	2600	1600	320	170	2540

Drive pulleys ATN Ø1000

Ø mm	Belt width mm	RL mm	EL mm	R _{max} kN	Mt _{max} kNm	Ø Bearing mm	Weight pulley in kg approx.
1000	1000	1150	1600	80	20	135	1139
1000	1000	1150	1600	100	25	150	1271
1000	1000	1150	1600	125	32	160	1357
1000	1000	1150	1600	160	41	170	1395
1000	1000	1150	1600	200	51	180	1922
1000	1000	1150	1600	250	64	200	2123
1000	1000	1150	1600	320	82	220	2430
1000	1000	1150	1600	360	92	240	2520
1000	1200	1400	1850	80	20	135	1265
1000	1200	1400	1850	100	25	150	1399
1000	1200	1400	1850	125	32	160	1500
1000	1200	1400	1850	160	41	170	1541
1000	1200	1400	1850	200	51	180	2071
1000	1200	1400	1850	250	64	200	2308
1000	1200	1400	1850	320	82	220	2650
1000	1200	1400	1850	360	92	240	2748
1000	1400	1600	2050	80	20	135	1365
1000	1400	1600	2050	100	25	150	1502
1000	1400	1600	2050	125	32	160	1614
1000	1400	1600	2050	160	41	170	1658
1000	1400	1600	2050	200	51	180	2191
1000	1400	1600	2050	250	64	200	2455
1000	1400	1600	2050	320	82	220	2826
1000	1400	1600	2050	360	92	240	2936
1000	1600	1800	2250	80	20	135	1605
1000	1600	1800	2250	100	25	150	1650
1000	1600	1800	2250	125	32	160	1775
1000	1600	1800	2250	160	41	170	1824
1000	1600	1800	2250	200	51	180	2412
1000	1600	1800	2250	250	64	200	2661
1000	1600	1800	2250	320	82	220	3002
1000	1600	1800	2250	360	92	240	3119
1000	1800	2000	2450	80	20	135	1708

Ø mm	Belt width mm	RL mm	EL mm	R _{max} kN	Mt _{max} kNm	Ø Bearing mm	Weight pulley in kg approx.
1000	1800	2000	2450	100	25	150	1755
1000	1800	2000	2450	125	32	160	1891
1000	1800	2000	2450	160	41	170	1944
1000	1800	2000	2450	200	51	180	2543
1000	1800	2000	2450	250	64	200	2813
1000	1800	2000	2450	320	82	220	3178
1000	1800	2000	2450	360	92	240	3303
1000	2000	2200	2650	80	20	135	1810
1000	2000	2200	2650	100	25	150	1860
1000	2000	2200	2650	125	32	160	2008
1000	2000	2200	2650	160	41	170	2064
1000	2000	2200	2650	200	51	180	2669
1000	2000	2200	2650	250	64	200	2964
1000	2000	2200	2650	320	82	220	3353
1000	2000	2200	2650	360	92	240	3486
1000	2200	2400	2850	80	20	135	1967
1000	2200	2400	2850	100	25	150	2023
1000	2200	2400	2850	125	32	160	2185
1000	2200	2400	2850	160	41	170	2247
1000	2200	2400	2850	200	51	180	2795
1000	2200	2400	2850	250	64	200	3181
1000	2200	2400	2850	320	82	220	3604
1000	2200	2400	2850	360	92	240	3670
1000	2400	2600	3050	80	20	135	2072
1000	2400	2600	3050	100	25	150	2131
1000	2400	2600	3050	125	32	160	2305
1000	2400	2600	3050	160	41	170	2370
1000	2400	2600	3050	200	51	180	2922
1000	2400	2600	3050	250	64	200	3336
1000	2400	2600	3050	320	82	220	3783
1000	2400	2600	3050	360	92	240	3853

Return pulleys UTN Ø1000

Ø mm	Belt width mm	RL mm	EL mm	R ^{max} kN	Ø Bearing mm	Weight pulley in kg approx.
1000	1000	1150	1600	80	100	989
1000	1000	1150	1600	100	110	1017
1000	1000	1150	1600	125	115	1125
1000	1000	1150	1600	160	140	1211
1000	1000	1150	1600	200	150	1236
1000	1000	1150	1600	250	160	1680
1000	1000	1150	1600	320	170	1877
1000	1000	1150	1850	360	180	1879
1000	1200	1400	1850	80	100	1117
1000	1200	1400	1850	100	110	1148
1000	1200	1400	1850	125	115	1261
1000	1200	1400	1850	160	140	1362
1000	1200	1400	1850	200	150	1391
1000	1200	1400	1850	250	160	1840
1000	1200	1400	1850	320	170	2073
1000	1200	1400	2050	360	180	2076
1000	1400	1600	2050	80	100	1219
1000	1400	1600	2050	100	110	1253
1000	1400	1600	2050	125	115	1369
1000	1400	1600	2050	160	140	1483
1000	1400	1600	2050	200	150	1515
1000	1400	1600	2050	250	160	1968
1000	1400	1600	2050	320	170	2231
1000	1400	1600	2250	360	180	2233
1000	1600	1800	2250	80	100	1358
1000	1600	1800	2250	100	110	1478
1000	1600	1800	2250	125	115	1518
1000	1600	1800	2250	160	140	1649
1000	1600	1800	2250	200	150	1684
1000	1600	1800	2250	250	160	2136
1000	1600	1800	2250	320	170	2441
1000	1600	1800	2450	360	180	2491

Ø mm	Belt width mm	RL mm	EL mm	R ^{max} kN	Ø Bearing mm	Weight pulley in kg approx.
1000	1800	2000	2450	80	100	1463
1000	1800	2000	2450	100	110	1587
1000	1800	2000	2450	125	115	1630
1000	1800	2000	2450	160	140	1773
1000	1800	2000	2450	200	150	1812
1000	1800	2000	2450	250	160	2268
1000	1800	2000	2450	320	170	2603
1000	1800	2000	2650	360	180	2658
1000	2000	2200	2650	80	100	1569
1000	2000	2200	2650	100	110	1695
1000	2000	2200	2650	125	115	1742
1000	2000	2200	2650	160	140	1897
1000	2000	2200	2650	200	150	1940
1000	2000	2200	2650	250	160	2400
1000	2000	2200	2650	320	170	2764
1000	2000	2200	2850	360	180	2824
1000	2200	2400	2850	80	100	1722
1000	2200	2400	2850	100	110	1853
1000	2200	2400	2850	125	115	1908
1000	2200	2400	2850	160	140	2070
1000	2200	2400	2850	200	150	2128
1000	2200	2400	2850	250	160	2597
1000	2200	2400	2850	320	170	2987
1000	2200	2400	3050	360	180	2990
1000	2400	2600	3050	80	100	1831
1000	2400	2600	3050	100	110	1965
1000	2400	2600	3050	125	115	2024
1000	2400	2600	3050	160	140	2207
1000	2400	2600	3050	200	150	2260
1000	2400	2600	3050	250	160	2734
1000	2400	2600	3050	320	170	3154
1000	2400	2600	3050	360	180	3157

EUROPA

Denmark
Rulmeca A/S
Byleddet 7 DK- 4000
Roskilde - Danmark
Phone 1: +45 3677 6755
Fax: +45 3677 6855
dk@rulmeca.com

Finland
Rulmeca Oy
Ridalintie 3
03100 Nummela
Finland
Phone: +358 922435510
www.rulmeca.fi
fi@rulmeca.com

France
RULMECA France S.A.S.
Z.A. des Marlières
Rue des Marlières
C.S. 10033
59710 AVELIN (France)
Phone: + 33 (0)3.20.00.41.30
Fax: +33 (0)3.20.00.41.31
info.france@rulmeca.com

Germany
RULMECA GERMANY GmbH
Wilslebener Chaussee 12 - 14,
06449 Aschersleben
Tel.: +49 (0) 3473 956-222
Fax: +49 (0) 3473 956-333
de@rulmeca.com

Italy
RULLI RULMECA S.P.A.
Via A. Toscanini, 1
I-24011 Almè Bergamo
Phone 1: +39 035 4300 111
Fax: +39 035 4300390
rulmeca@rulmeca.com
export-it@rulmeca.com

Spain/Portugal
RULMECA IBÉRICA, S.L.U.
Pol. Ind. Can Roqueta II -
c/ Can Manent, 31
08202 Sabadell
Phone: +34 93 544 9199
Fax: +34 93 574 4424
espana@rulmeca.com

Sweden
Rulmeca A/S
Östra Kungshusgatan 13
S - 532 30 Skara
Phone 1: +46 (0) 511 160 27
Fax: +46 (0) 511 160 29
se@rulmeca.com

Turkey
**RULMECA TASIMA AKSAMLARI
TICARET LIMITED SIRKETI**
Dekocity AVM
Erler Mah. Dumlupınar Bulvarı No:348/61
06930 Ümitköy/ANKARA
Phone 1: +90 312 284 64 74
Mobile: +90 541 284 64 01
Fax: +90 312 284 64 78
turkey@rulmeca.com

United Kingdom
RULMECA UK Ltd
Brunel Road
Earlstrees Industrial Estate
Corby, Northants
NN17 4JW GB
Phone 1: +44 1536 748525
Fax: +44 1536 748535
uk@rulmeca.com

NORTH AND SOUTH AMERICA

Canada
RULMECA CANADA LIMITED
75 Mason Street, Wallaceburg, Ontario,
Canada, N8A 4L7
Phone 1: +1 (519) 627-2277
Fax: +1 (519) 627-5115
Toll Free Phone From Canada and U.S.A.
1-800-661-4065
sales@rulmeca.ca
www.rulmeca.ca

United States
RULMECA Corporation
6508 Windmill Way,
Suite B Wilmington,
NC, USA 28405
Phone 1: +1 910-794-9294
Fax: + 1 910-794-9296
sales-us@rulmeca.com
www.rulmecacorp.com

ASIA

China
RULMECA (TIANJIN) CO., LTD.
D1-2 & D1-4,
Saida International Industrial Park,
Xiqing Economic
Development Area (XEDA)
300385 Tianjin
Phone 1: +86-22-2388-8628
Fax: +86-22-2388-9828
http://www.rulmeca.com.cn
sales-cn@rulmeca.com

India
Lakhotia Enterprise
150, Broadway
Chennai 600 0108
Phone 1: +91 44 25226466
Fax: +91 44 25247040
www.lakhotia.co.in
mayuresh@lakhotia.net

Indonesia
PT. RULMECA INDONESIA
Rukan Mutiara Taman Palem B5 No.15
Cengkareng
Jakarta Barat 11730
Phone 1: +62 21 5435 5608
Mobile: +62 812 814 6188
Fax: +62 21 5435 5608
sales-id@rulmeca.com

Israel
COMTRANS
5 Hahoma Street (Ind. Zone)
75655 Rishon Lezion
Phone 1: +972 3 9619636
Fax: +972 3 9619644
comtrans@comtrans.co.il

Thailand
RULMECA (THAILAND) CO. LTD.
55/12 Moo 15, Tambol Bangsaothong,
Amphur Bangsaothong
10540 Samutprakarn
Phone 1: +662 182 5280
Fax: +662 182 5286
sales-th@rulmeca.com

SOUTH AFRICA

South Africa
MELCO Conveyor Equipment
Cnr. Hertzog & Jack Pienaar Street
Germiston South Ext. 7, P.O. Box 131,
1400 Germiston
Phone 1: +27 87 806 3160
Fax: +27 11 825 3592
www.melcoconveyors.com
conveyors-za@rulmeca.com

AUSTRALIA

**RULMECA MELCO
AUSTRALIA (PTY) LTD**
Building 6 Garden City Office Park
2404 Logan Rd
Eight Mile Plains Queensland 4113
Phone 1: +61 (0) 467666067
www.melcoconveyors.com
sales-au@rulmeca.com

Moving ahead.

RULMECA HOLDING S.p.A
Via A. Toscanini, 1
24011 Almè (BG) Italy
Tel.: +39 035 4300231
Fax: +39 035 4300259
dzucchinelli@rulmeca.com
www.rulmeca.com

RULMECA GERMANY GmbH
Wilslebener Chaussee 12 - 14,
06449 Aschersleben Germany
Tel.: +49 (0) 3473 956-222
Fax: +49 (0) 3473 956-333
de@rulmeca.com

