



Motorized Pulley 630M & 630H, Ø 630 mm

To match your requirements in diameter 630 mm, our product range offers two different loading performances for your BULK applications:

- 630M and
- 630H

You have a choice.

Therefore, it is important to notice the differences to choose the right type of pulley for the right application based on estimated belt tension (radial load) = T1+T2. The actual radial load **MUST** be **LESS** than the max. allowable radial load shown in this catalogue.

Be aware of increased belt tensions using multi-ply thick heavy belts and/or larger belt widths.

If you do not find the belt tension needed in this diameter, you might have to choose a larger one.

Except for the fact that motor/gearbox of 630M originates from 500H, both types – 630M and 630H – are designed for HEAVY DUTY applications. They provide the necessary torque and belt pull.

Both pulleys are designed for tough, irregular, extreme and brutal working conditions.

STANDARD SPECIFICATION of Motorized Pulley

- Crowned mild steel Ø 630 mm steel shell painted yellow - min. layer of 60 µm
- Bolted powder coated cast iron bearing housings and covers, all painted yellow – min. layer of 60 µm
- Mild steel shafts
- Shaft sealing system - degree of protection IP66/67 (EN60034-5)
- Cast iron terminal box painted yellow – min. layer of 60 µm
- 3-phase induction motors with thermal protector
- Voltage: 3-phase single voltage. Most common voltages available. Please specify!
- Motor winding insulation Class F
- Dynamically balanced rotor
- Two oil plugs each fitted with a magnet to filter the oil
- Yellow painted cast steel mounting brackets – one type AL & one type ALO
- Oil change recommended every 20.000 operational hours
- Maximum RL – Please inquire!
- Non standard RL's available
- To be used in horizontal positions ±5 degree only!
- Special speeds available on request.

SEMI-RUST-FREE options

TS11

- Painted mild steel shell – min. layer of 120 µm
- Painted cast iron end housings – min. layer of 120 µm
- Stainless steel covers with labyrinth grooves – AISI 304 range
- Nitrided shaft sleeves
- Zinc-plated oil plugs – each with magnet
- Zinc-plated exterior bolts
- Shaft sealing system – degree of protection IP66/67 (EN60034-5)
- Painted terminal box – min. layer of 120 µm
- Nickel plated mounting brackets with labyrinth grooves

TS12

- As TS11, but without re-greasable seals.
- Covers - standard

Please note:

- FDA & USDA food grade recognized oil and grease are NOT included in TS11 & TS12, but available on request.

When ordering, please specify the required voltage, electrical connection and eventual TS-number, options, brackets and idler pulleys.

- Environmental considerations: page 77-78
- Technical precautions: pages 81-92
- Optional extras: page 61 and back cover
- Connection Diagrams: page 100.



OPTIONAL EXTRAS

Motorized Pulley 630M & 630H

Specification	630M	630H
Semi-rust-free option Re-greasable labyrinth seals!	TS11	TS11
Semi-rust-free option Standard seals!	TS12	TS12
Dust explosion proof Motorized Pulleys - ATEX 95 - Zone 22 - for applications handling of dusty grain etc. According to European Directive 94/9/EC.	On request!	On request!
Re-greasable labyrinth seals - mild steel	x	x
Black rubber lagging - STANDARD specifications: - Smooth lagging - Hardness 60 ±5 Shore A - Diamond lagging - Hardness 60 ±5 Shore A	o 10 mm 10 mm	o 10 mm 10 mm
White smooth rubber lagging (FDA). Oil, fat & grease resistant	x	x
SPECIAL lagging available on request - e.g. hot vulcanized, ceramic etc.	x	x
External brake shaft for connection to mechanical brake	x	x
Mechanical backstop	x	x
Insulation class F - Allowable ambient temperature: -25°C-+40°C	Std.	Std.
Insulation class H with synthetic oil	x	x
Parallel shell	x	x
Thermal protector	Std.	Std.
IP66/67 cast iron terminal box painted yellow	Std.	Std.
Shaft sealing system - degree of protection IP66/67 (EN60034-5)	Std.	Std.
3-phase single voltage (3 x 400V) or (3 x 690V), 50 Hz, with +/-10% tolerance - DIN IEC 38	Std.	Std.
Special voltages - 50 and/or 60Hz Please specify!	x	x
Dual voltage - delta/star - connection possibility!	x	x
CSA approved motors - available on request only!	x	x
Electromagnetic brake Min RL dimension increases by (mm)	100	-

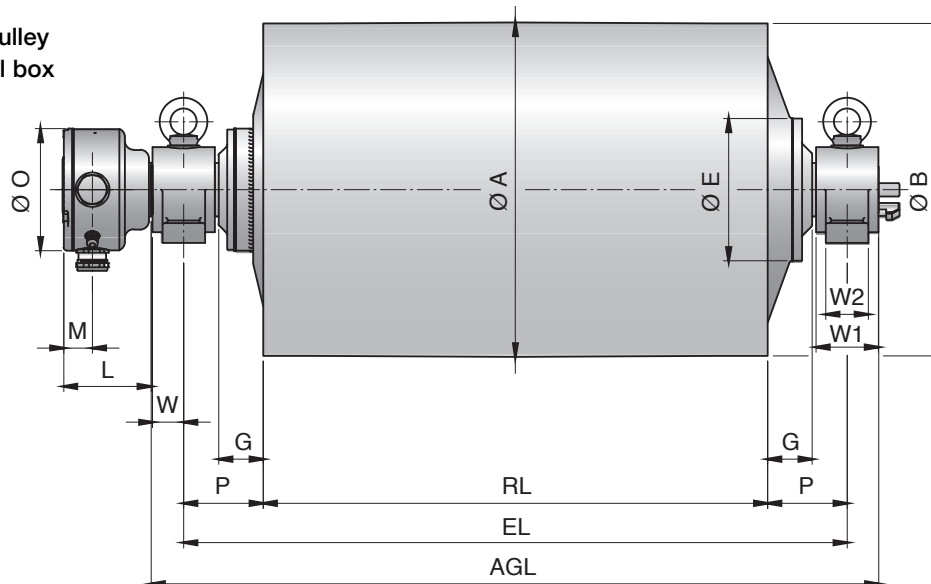
x = Optional extra's

o = An option with certain limitations. Please refer to Technical precautions pages 81-92!

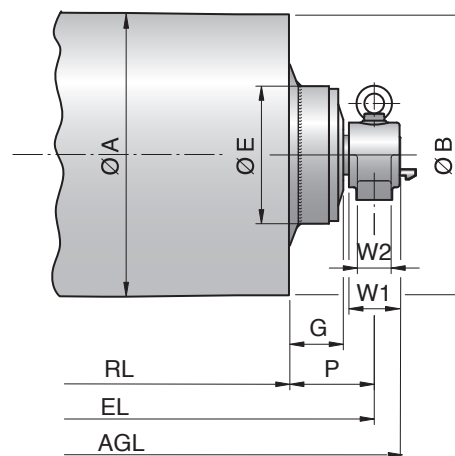
Std. = Fitted as standard

Motorized Pulley 630M & 630H, Ø 630 mm

Motorized Pulley
with terminal box

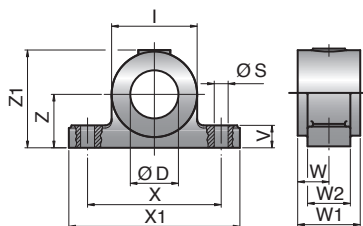


Idler Pulley
UT500H / UT502H



Type	A mm	B mm	C mm	D mm	E mm	G mm	L mm	M mm	O mm	P mm
630M	630	626	-	65	192	95	131	46	165	150
630M (22&30kW) / 630H	630	626	-	90	268	84	166	54	230	150
UT500H	501	497	-	65	235	95	-	-	-	150
UT502H	501	497	-	90	226	85	-	-	-	150

Mounting brackets
AL65 & ALO65
AL90 & ALO90



Motorized Pulleys & Idler Pulleys (UT) Type	Material	Bracket description	Dimensions											Weight kg
			D mm	I mm	S mm	V mm	W mm	W1 mm	W2 mm	X mm	X1 mm	Z mm	Z1 mm	
630M & UT500H	Spheroidal cast iron	AL65 / ALO65	65	115	23	34	45	90	60	180	240	80	141	8.0
630H & UT502H	Cast steel	AL90 / ALO90	90	160	26	42	58.5	117	80	250	320	100	183	19.0



Motorized Pulley 630M, Ø 630 mm

50 Hz

Motor		Nominal belt speed at Full Load 50Hz m/sec	Torque Nm	Belt Pull N	Max. Radial Load T1+T2 N	Min. RL	Type	Weight in kg for STANDARD width									Type of Bracket
Power kW/HP	No. of Poles							Dimension RL in mm (RL >2000 mm available on request)									
								750	800	850	900	950	1000	1050	1100	per 50 mm up to 2000	
5.50/7.50	8	0.63	2612	8292	46000	750	630M	395	404	413	422	431	441	450	459	9 kg	AL65/ALO65
		0.80	2057	6530													
		1.00	1645	5222													
	6	1.25	1316	4178													
		1.60	1028	3264													
		2.00	823	2613													
7.50/10.0	8	2.50	658	2089	46000	750	630M	404	413	422	431	440	450	459	468	9 kg	AL65/ALO65
		3.15	522	1657													
		0.80	2805	8905													
	6	1.00	2243	7121													
		1.25	1795	5699													
		1.60	1402	4451													
11.0/15.0	6	2.00	1122	3562	46000	750	630M	419	428	438	447	456	466	475	484	9 kg	AL65/ALO65
		2.50	897	2848													
		3.15	712	2261													
	4	1.25	2631	8356													
		1.60	2056	6527													
		2.00	1645	5222													
15.0/20.0	4	2.50	1316	4178	46000	750	630M	430	439	449	458	467	477	486	495	9 kg	AL65/ALO65
		3.15	1045	3318													
		1.60	2804	8902													
	4	2.00	2243	7121													
		2.50	1795	5699													
		3.15	1424	4521													
18.5/25.0	4	2.00	2767	8784	46000	750	630M	440	449	459	468	477	487	496	505	9 kg	AL65/ALO65
		2.50	2213	7026													
		3.15	1757	5578													
	2	2.00	3222	10450													
		2.50	2634	8362													
		3.15	2090	6635													
Idler Pulley					46000	750	UT500H	212	220	229	237	246	255	263	271	8 kg	AL65/ALO65

Motorized Pulley 630H, Ø 630 mm

50 Hz

Motor		Nominal belt speed at Full Load 50Hz m/sec	Torque Nm	Belt Pull N	Max. Radial Load T1+T2 N	min. RL	Type	Weight in kg for STANDARD width									Type of Bracket														
Power kW/HP	No. of Poles							Dimension RL in mm (RL >2000 mm available on request)																							
								950	1000	1050	1100	1150	1200	1250	1300	per 50 mm up to 2000															
22.0/30.0	8	1.00	6583	20899	73600	950	630H	805	818	830	843	855	865	878	891	13 kg	AL90/ALO90														
		1.25	5265	16714																											
		1.60	4113	13057																											
	8	2.00	3290	10445																											
		2.50	2632	8356																											
		3.15	2089	6632																											
30.0/40.0	8	1.25	7179	22791	98100	950	630H	825	838	850	863	875	885	898	911	13 kg	AL90/ALO90														
		1.60	5609	17807																											
		2.00	4487	14245																											
	6	2.50	3589	11394																											
		3.15	2849	9045																											
		1.60	6920	21969																											
37.0/50.0	6	2.00	5534	17569	98100	950	630H	825	838	850	863	875	885	898	911	13 kg	AL90/ALO90														
		2.50	4427	14054																											
		3.15	3513	11153																											
	4	2.50	5384	17092																											
		3.15	4273	13565																											
		4.00	3365	10683																											
55.0/75.0	4	2.50	6584	20902	88300	950	630H	845	858	870	883	895	905	918	931	13 kg	AL90/ALO90														
		3.15	5223	16581																											
		4.00	4113	13057																											
	Idler Pulley																	98100	750	UT502H	287	296	305	314	322	331	340	349	9 kg	AL90/ALO90	

Sectional drawings: please refer to pages 68-70!

Note: for MP 630M & H electromagnetic brake is not possible